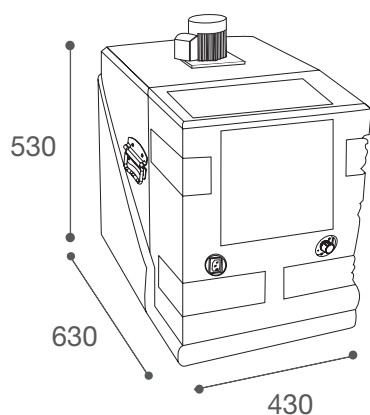


## 09 BETA 60



### Specifiche e Opzioni

• **Con Gas Eco-Friendly R290**

• Tensione a 115V per lotti minimi di 50 pz.

#### Imballo singolo

Peso: 40 Kg

Dimensioni (LxAxP): 462x666x662 mm

Dimensioni pallet: 800x1200 mm

Quantità per pallet: 8

### Specs and Options

• **With Eco-Friendly R290 Gas**

• 115V voltage version for minimum lots of 50 pcs.

#### Single packaging

Weight: 40 Kg

Dimensions (LxHxW): 462x666x662 mm

Size of pallet: 800x1200 mm

No. of units per pallet: 8

Codice Code	Materiale Material	Compressore Compressor	Cap. vasca Tank cap.	Banco ghiaccio Ice bank	Prestazione Max Performance Max	N° Vie N° of coils	Pompa ricircolo Recirculation pump	Prezzi Prices
BT1260 LPRR2	<b>Plastica</b> Plastic	1/2 HP	42 l	22 kg	150 l/h	-	-	
BT1260 LPRR21V	<b>Plastica</b> Plastic	1/2 HP	42 l	22 kg	150 l/h	1	✓	
BT1260 LPRR22V	<b>Plastica</b> Plastic	1/2 HP	42 l	22 kg	150 l/h	2	✓	
BT1260 LPRR23V	<b>Plastica</b> Plastic	1/2 HP	42 l	22 kg	150 l/h	3	✓	
BT1260 LPRR24V	<b>Plastica</b> Plastic	1/2 HP	42 l	22 kg	150 l/h	4	✓	
BT1260 LPRR25V	<b>Plastica</b> Plastic	1/2 HP	42 l	22 kg	150 l/h	5	✓	
BT1260 LPRR26V	<b>Plastica</b> Plastic	1/2 HP	42 l	22 kg	150 l/h	6	✓	